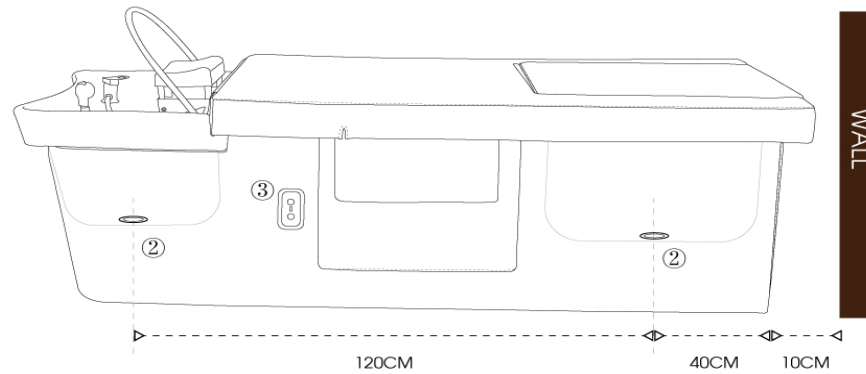
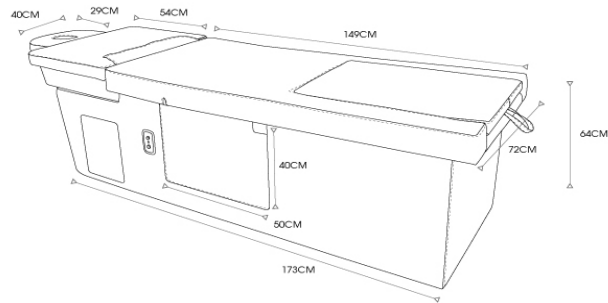


Product Manual SHAMPOO BED

Multi-functional shampooing bed with fumigation function.



SHAMPOO BASIN



- ① Water circulation
- ② Small hole sewage outlet, large hole water circulation into the water hole.
- ③ Shampoo basin filter
- ④ Water circulation filter
The filter must be placed at the water circulation inlet to prevent impurities from blocking the water circulation.

WATER CIRCULATION

At least 10cm from the wall.

Before turning on the water and electricity, please connect the drain, hot water and cold water pipes under the bottom of the wash basin.



WATER CIRCULATION SYSTEM

+Timing

Turn the temperature up

-Timing

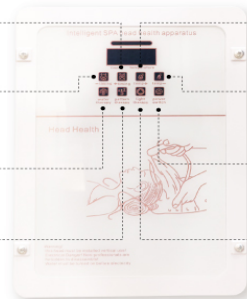
lower the temperature

Water therapy

Water cycle open button

Pattern therapy

Gear selection, there are 3 gear



Temp+

Turn the temperature up

Temp-

lower the temperature

Start button

Machine start

Light therapy

begin Light therapy



- ① Hot and cold water pipe connecting port.
(Regardless of hot and cold interface)



- ② Handset USB charging jack

Upper key: Shampoo bed back down Angle adjustment.

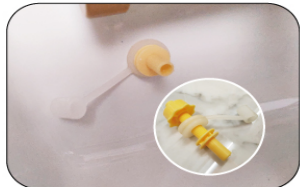
Bottom key: Shampoo bed back Angle upward adjustment button.

FUMIGATORS USER MANUAL

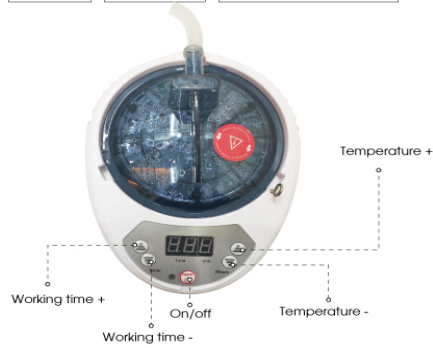
ITEMS LIST



Long hose Stub hose Splice Remote Medicine box



The connector connects the shampoo basin to the pill box.



The LED display screen alternately displays the gear of time /temperature

Adjustable range of temperature gears: **P01-p09**
Heating working time adjustable range: **1-60 minutes.**



Lock the lid clockwise.
The highest water level is 1-2CM from the edge of the inner liner.



The lid is rotated clockwise according to the clip position.
Lock the lid with this key.



Connect to the fumigation

When connecting to the fumigation equipment, the steam pipe is careful not to fold to the blockage. When using, pay attention to keep enough safety distance from the high temperature part to avoid scalding.



The lid must be locked, otherwise it will pop off when the water boils.



Add water to pay attention to the amount of water, not too full, to prevent overflowing when boiling.



After the water boils, the steam gear is lowered to control the amount of steam. You can control it around 4th gear.

FAULT TREATMENT

Failure or phenomenon	Possible causes	Processing method
No or insufficient steam	<ol style="list-style-type: none"> 1.The steam pipe folded . 2.The fumigant cover is not locked. 3.Incorrect gear setting. 	<ol style="list-style-type: none"> 1.Straighten out the steam pipe. 2.Lock the fumigant cover clock wise. 3.Add gear
Remote control can not be used remote control distance is short.	<ol style="list-style-type: none"> 1.The machine is not powered on. 2.The remote control is not aligned with the machine display. 3.The battery is low 	<ol style="list-style-type: none"> 1.Turn on the machine. 2.The distance between remote control machine and display screen should be reduced properly. 3.Replace remote control battery
Automatic shutdown after working for a period of time	<ol style="list-style-type: none"> 1.Automatic protection of water shortage in machine. 2.The scale in the fumigant machine is too thick. 	<ol style="list-style-type: none"> 1.After the machine cools down,add water again. 2.Clean up the scale inside the tank.